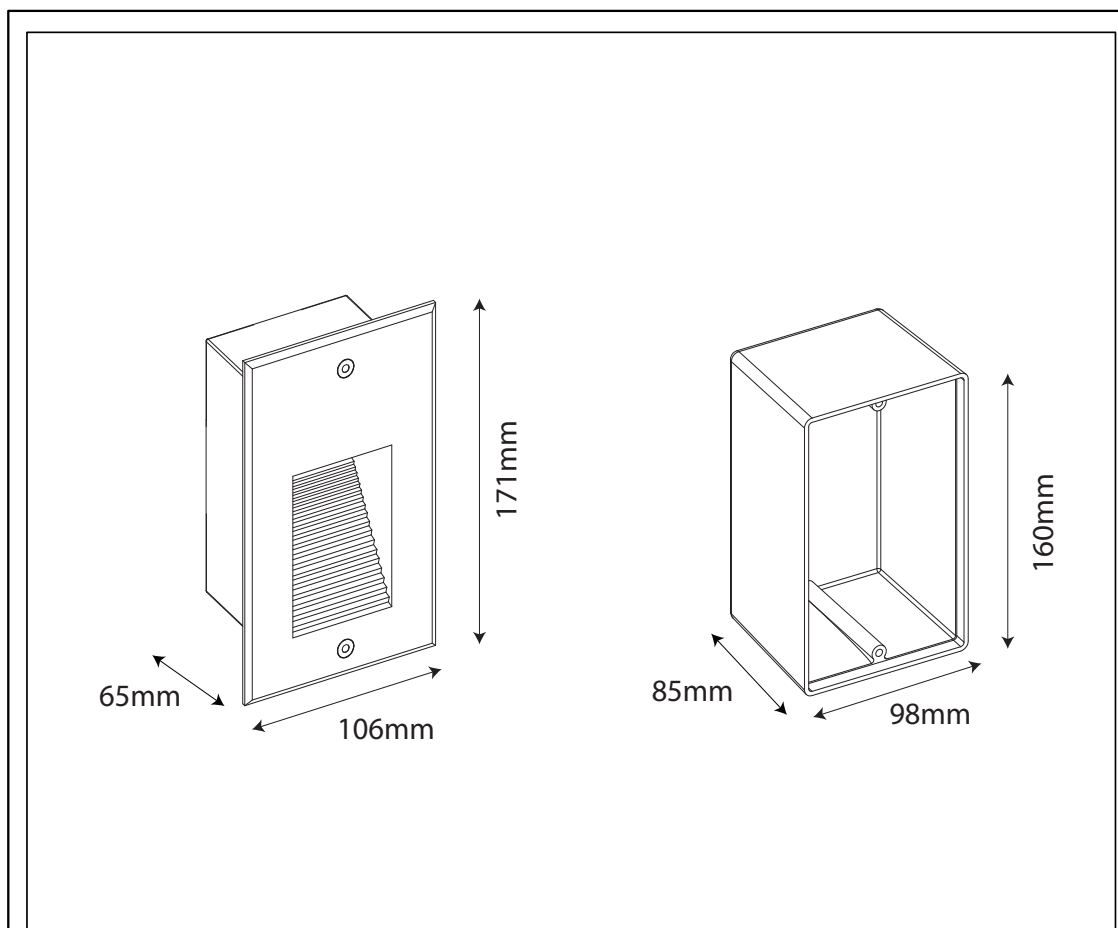
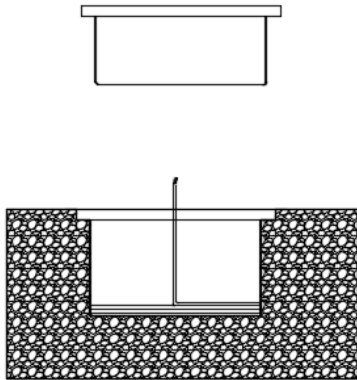


# TABLERON S

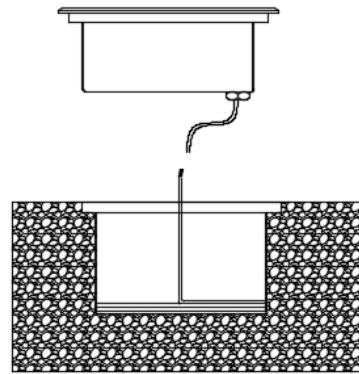
## USER MANUAL



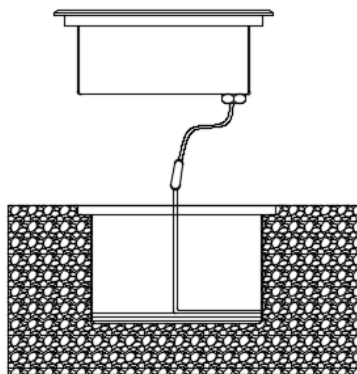
1. The luminaire shall be installed by a qualified electrician and wired in accordance with the latest IEE electrical regulations or the national requirements.
2. No supplied water-proof box, installation should be advised by qualified professional.
3. The external flexible cable can not be replaced. If the cable is damaged, the luminaire should be discarded.



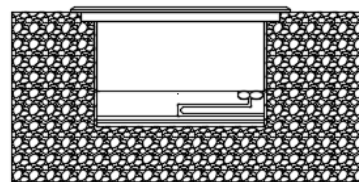
1. Fix the embedded part and keep it flush with the wall. The power cable should pass through the embedded barrel.  
 Note: The height of the gravel should not be less than 25cm.



2. The power cord and the lamp power cord each wear a head into the waterproof connector (IP67), and connect the power cord, and then lock the waterproof connector, retain enough length for easy maintenance.



3. The long power cord is placed in the pre-buried bucket, and then the lamp is placed in the pre-buried bucket.



4. Fix the lamp on the embedded part with screws.