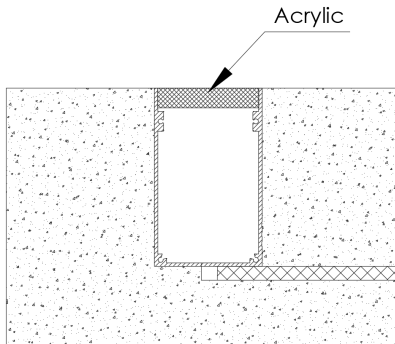


LYNX

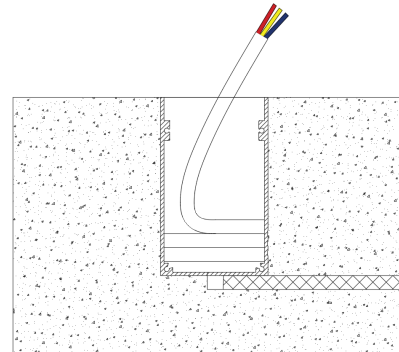
USER MANUAL



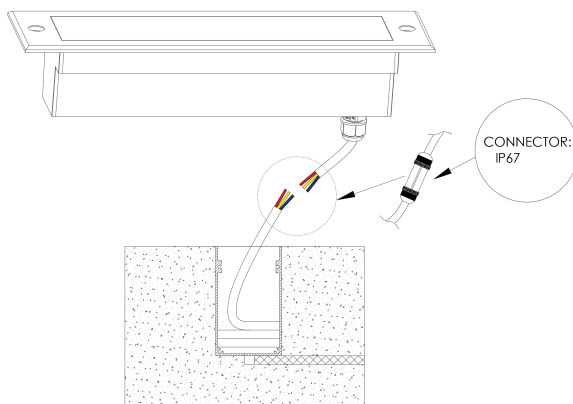
1. The luminaire shall be installed by a qualified electrician and wired in accordance with the latest IEE electrical regulations or the national requirements.
2. No supplied water-proof box, installation should be advised by qualified professional.
3. The external flexible cable can not be replaced. If the cable is damaged, the luminaire should be discarded.



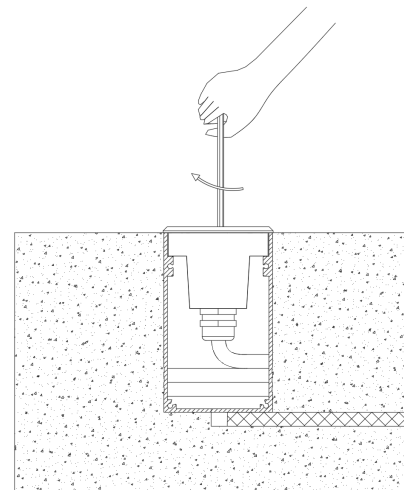
1. Put the acrylic strip in the mounting sleeve first, and then embed the mounting sleeve into the ground to keep flush with the ground surface.



2. Thread the power supply wire through the mounting sleeve.



3. Attach the power supply wire and the lamp's wire with the waterproof connector (IP67) one end each, connect the power cord, and then lock the waterproof connector, remembering to retain a sufficient length for facilitate maintenance.



4. Take down the acrylic strip, place the long power cord in the mounting sleeve, then put the lamp into the mounting sleeve, and use the screws to fix the lamps with the mounting sleeve.