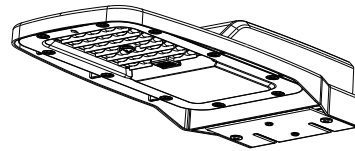
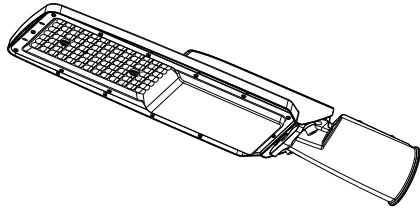


# ALF USER MANUAL



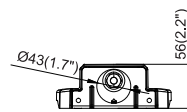
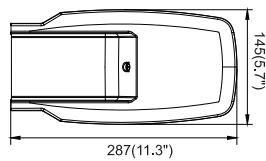
1. The luminaire shall be installed by a qualified electrician and wired in accordance with the latest IEE electrical regulations or the national requirements.
2. No supplied water-proof box, installation should be advised by qualified professional.
3. The external flexible cable can not be replaced. If the cable is damaged, the luminaire should be discarded.

## Installation Instructions

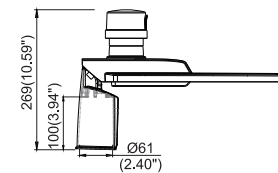
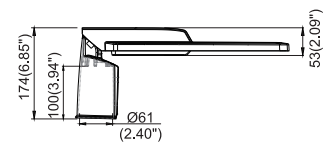
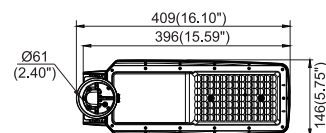
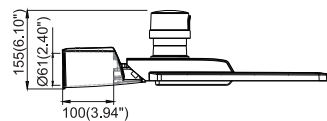
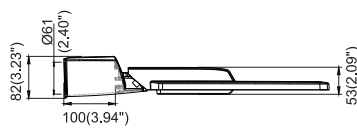
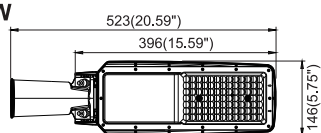


### Physical Dimensions(Unit: mm/inch)

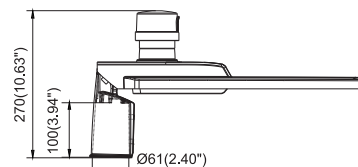
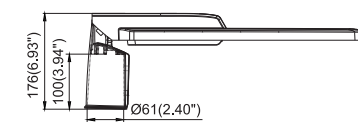
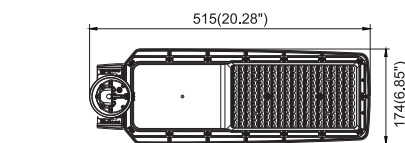
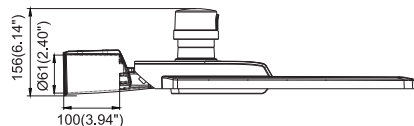
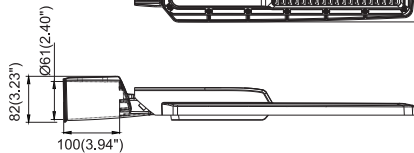
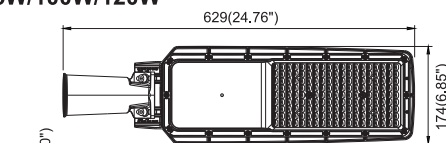
**25W**



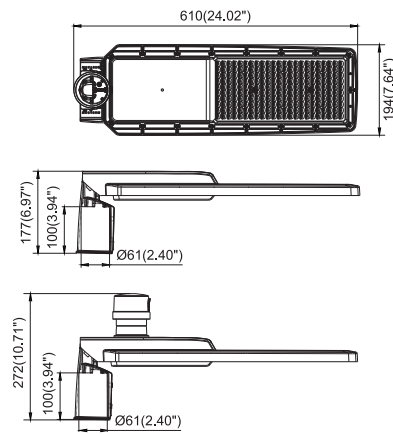
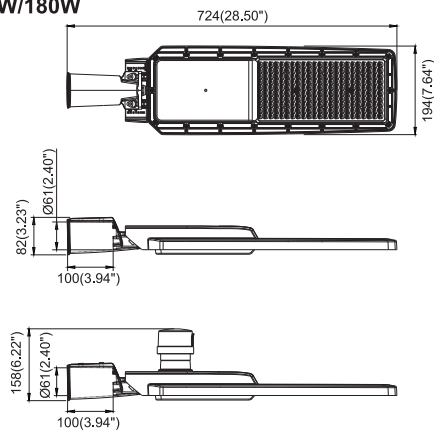
**30W/40W/55W**



**75W/100W/120W**

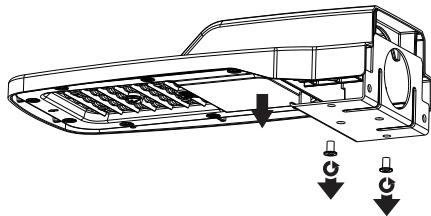


**150W/180W**

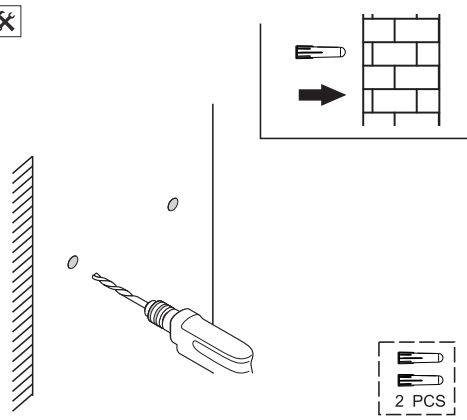


**Wall Mounting(For 25W only)**

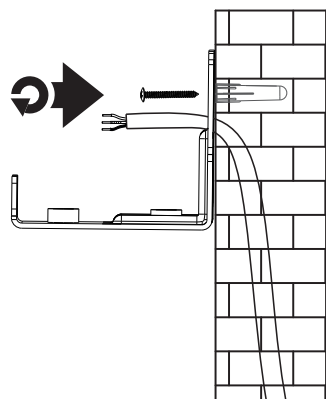
**1.** ✕



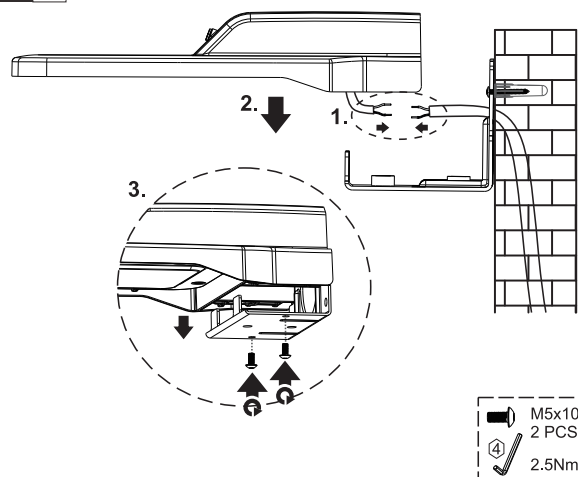
**2.** ✕



**3.** ✕

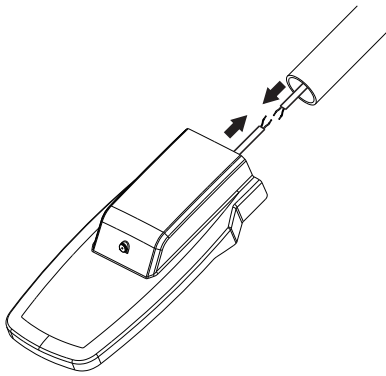


**4.** ✕

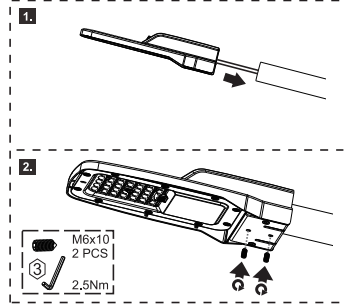


### Pole Mounting(For 25W only)

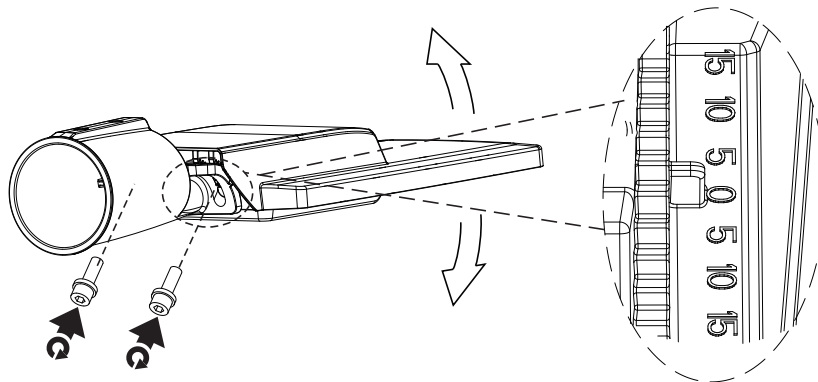
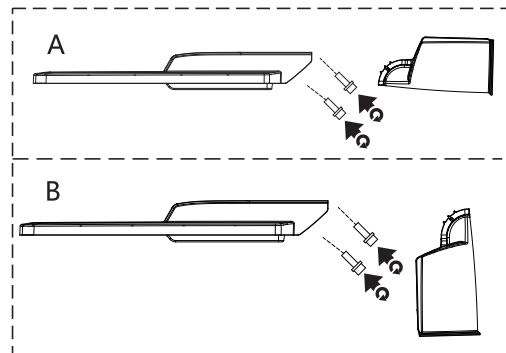
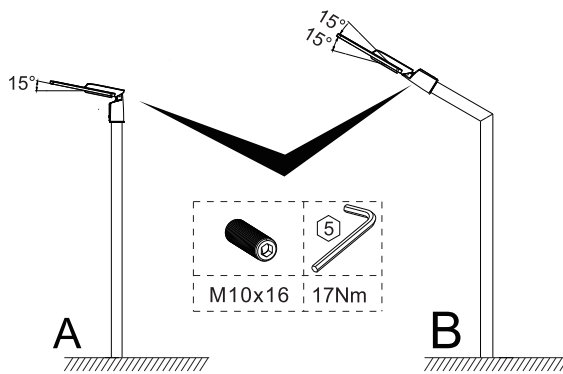
1. ✖



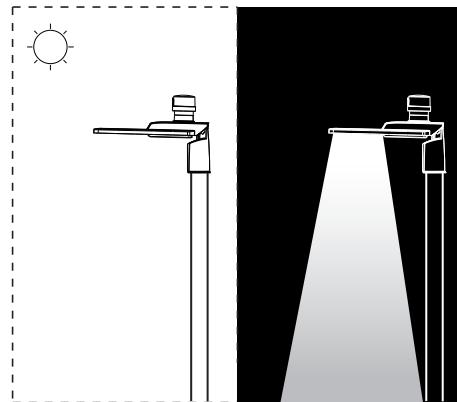
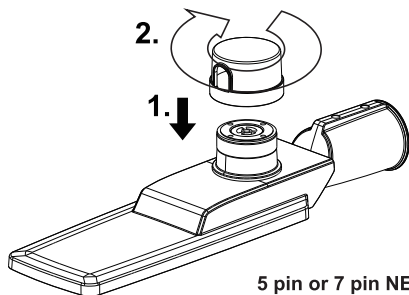
2. ✖



### Pole Mounting(30~180W)



### Photocell(Optional)



**Note:** If a 5 pin / 7 pin NEMA is applied, an additional waterproof gasket between the socket and the photocell controller will be required.

Rated Voltage	120-277VAC	Turn-Off Level / Time-Delay	60Lx / 2~15s
Applicable Voltage Range	105-305VAC	Ambient Temp.	-40°C~ +70°C
Rated Frequency	50/60Hz	Related Humidity	99%
Rated Loading	1000W Tungsten, 1800VA Ballast	Service Life	5000 times
Power Consumption	1.0VA	Overall Size	84(Dia.) x 66mm
Turn-On Level / Time-Delay	10Lx / 15~120s	Weight Approx.	88g

#### Dimmable

L brown black N blue white	DIM+/DA1 purple or purple or blue or brown or black or red DIM-/DA2 gray or pink or white or blue or gray or orange
	DIM+/DA1 purple or purple or purple or purple DIM-/DA2 gray or pink or gray or pink Aux 12Vdc + pink or black/white or black/white or red
L brown black N blue white GND yellow/green green	DIM+/DA1 purple or purple or purple DIM-/DA2 gray or pink or pink Aux 12Vdc + pink or black/white or black/white Aux 12Vdc - black/white or blue/white or orange
	L brown black or black N blue white or white or white GND yellow/green or green or green DIM+/DA1 black or red or brown DIM-/DA2 gray or orange or blue



**Warning!** do not wire dim cord to high voltage, or dim function will fail.

- Please make sure the luminaire is properly grounded.
- The light source contained in this luminaire shall only be replaced by the manufacturer or his service agent or a similar qualified person.
- For type Y attachments:  
if the external flexible cable or cord of this luminaire is damaged, it shall be exclusively replaced by the manufacturer or his service agent or a similar qualified person in order to avoid a hazard.